

When Social Distancing Isn't Practical, Create a **SAFE SPACE**



PERSONAL PROTECTIVE EQUIPMENT



Made in USA

Modular Kitted Shields, Partitions & Dividers

EASY INSTALL > DURABLE & WASHABLE > STURDY CONSTRUCTION

- Service Desks
- Machine Operators
- Conveyor Lines
- Cafeterias
- Training Rooms
- Packaging Lines
- Shipping/Receiving
- Security Check Points
- Front Office/Reception

Start TODAY! Prepare your facility to protect your employees.

When Social Distancing is Not Practical, Create a Safe Space in Your Facility

Distancing from others is recommended by health care professionals as a first line of defense against spreading a communicable disease.

Yet distancing is not practical — in many cases, not possible — in the industrial manufacturing sector. Machine operators, maintenance personnel and line workers pull together as a team, many times in close proximity.

When social distancing is not practical, create a SAFE SPACE in your facilities using prefabricated safety shields and partitions designed specifically for industrial manufacturing scenarios.



Cafeteria/Library Table.



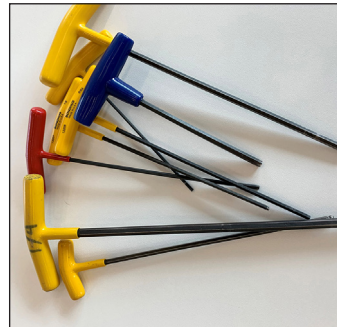
Waiting Line Partition.

APPLICATION HIGHLIGHT

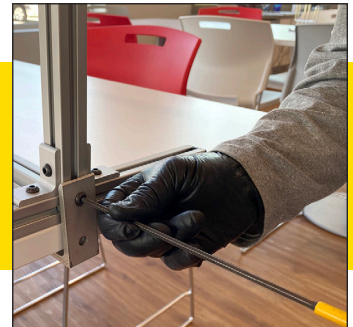
Cafeteria Table



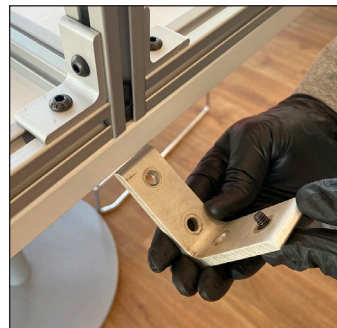
Protects Yet Allows for Socializing.



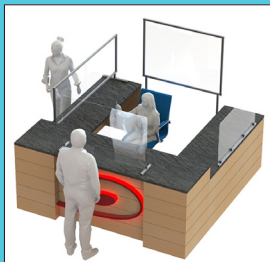
Delivered as a Kit: Minimal Tools.



L Clamp Means No Drilling.



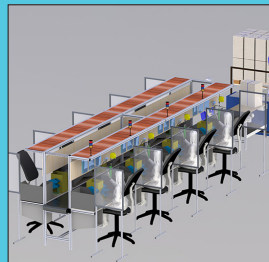
Sliding Bracket Fits Any Tabletop. T Slot Makes for Easy Teardown.



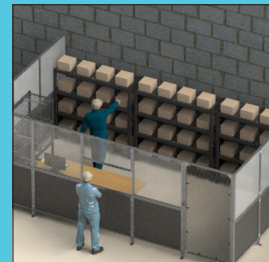
Front office and Reception Shield.



Library & Study: Allows Collaboration.



Assembly Workstation Partitions.



Tool or Parts Crib Counters.



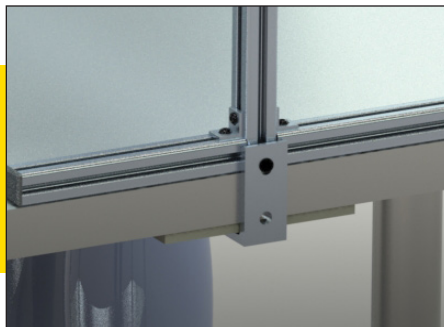
Security/Checkpoint Stations.

- Panels available in any size up to 4 feet by 8 feet.
- Permanent or portable installment designs.
- Can be custom built – give us your dimensions.
- Wheels, shelves, hooks and other options available.

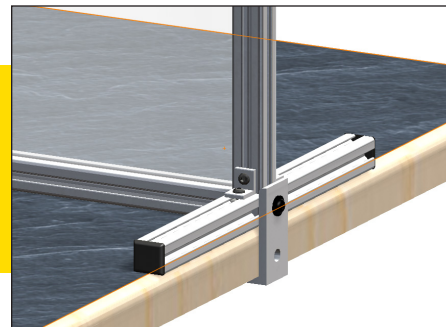
No-Drilling? No Holes. No Problem!

Your facility's furniture and office cubicles are expensive and built to last.

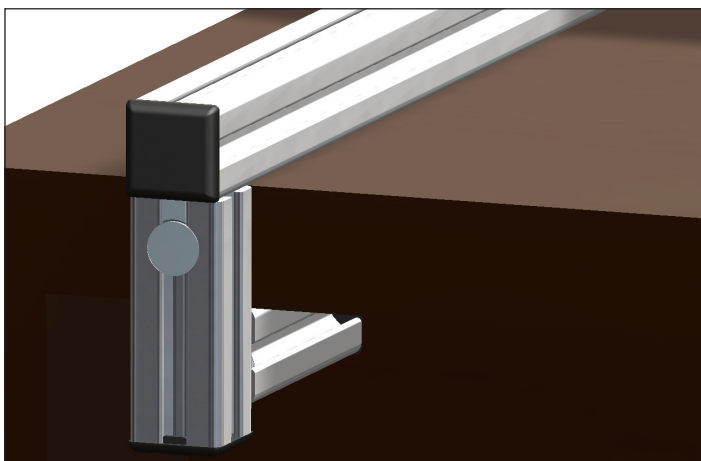
Safe Space products don't require drilling. Our partitions and guards are engineered to use adjustable fasteners that clamp securely to your existing tabletops, cubicle edges and other furniture. Loosen the fastener to move Safe Space products to a different piece of furniture.



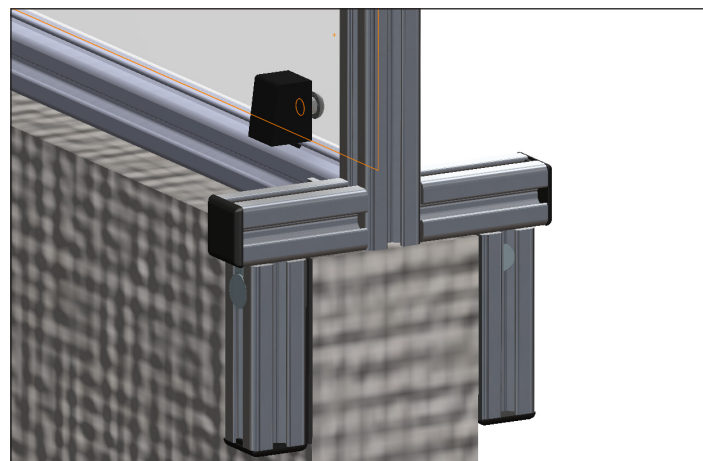
6' Pass under partition clamping.



Angle bracket table clamping.



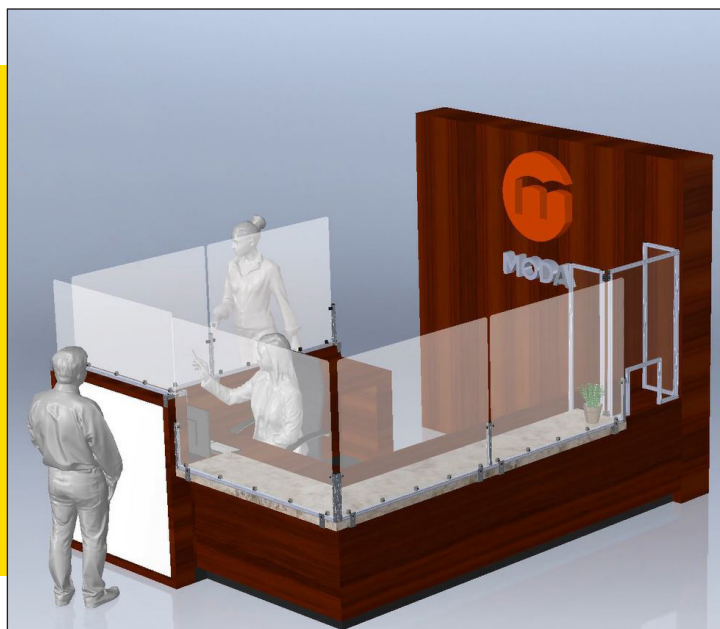
Reception shield clamps on to preserve furniture while protecting.



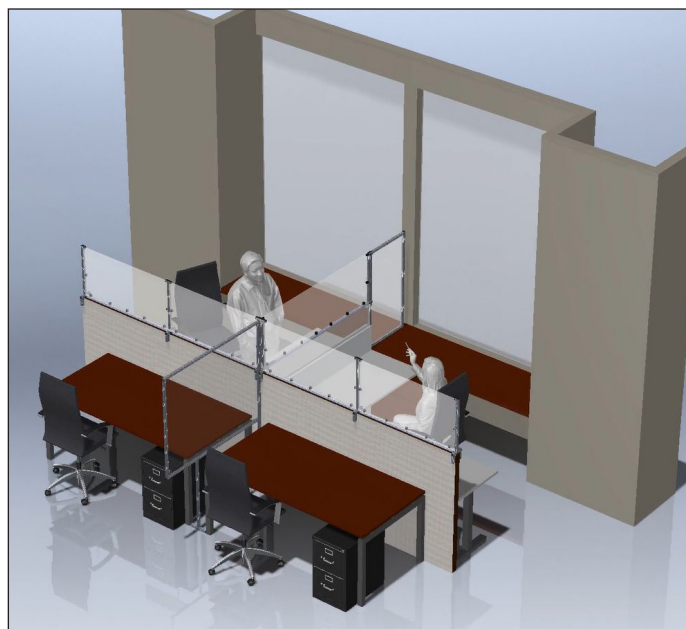
Universal wall and cubicle clamping.

APPLICATION GALLERY

See below for design renderings done for our customers.
We can do one for your application, too!



Reception shield clamps on to preserve furniture while protecting.



Four-Plex office seating protects while allowing collaboration.

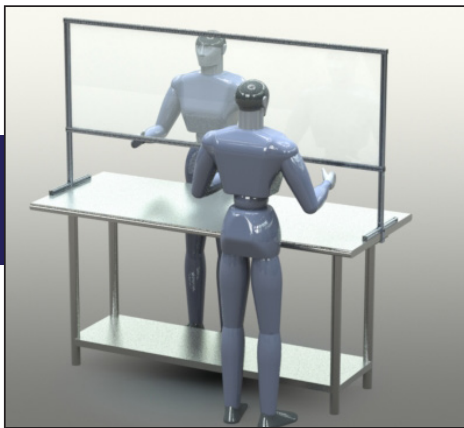
APPLICATION GALLERY



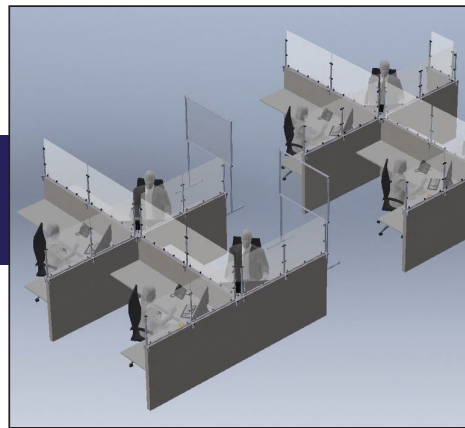
Reception enclosure with delivery pass-through window.



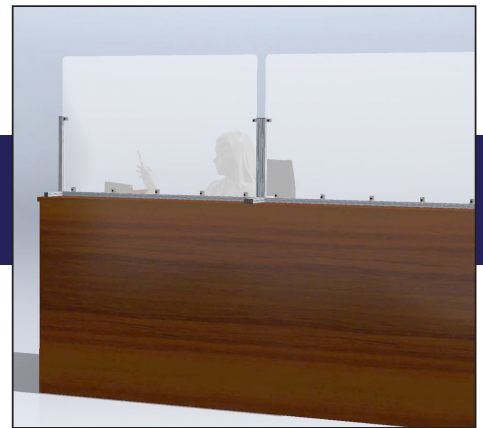
Consultation/Bank Officer/Finance desk.



Warehouse pick and pass desk.



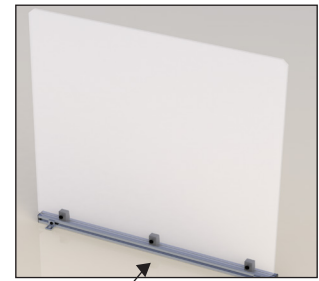
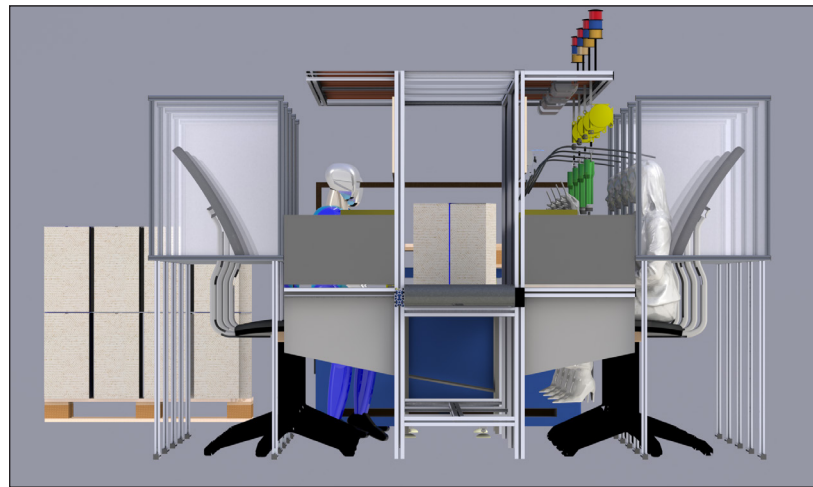
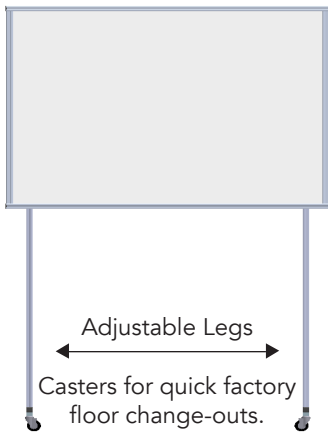
Eight-Plex service desk partitions.



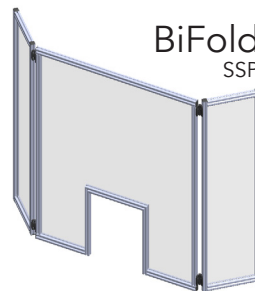
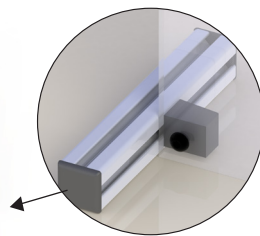
Check-in/Security desk.



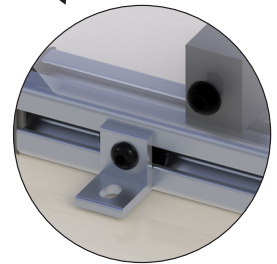
Six-Plex customer service team partitions and shields.



Bolt-mounted to countertops or any horizontal surface.



- Pass Through
- Easy To Adjust
- Folds To Put Away



INNOVATIVE-IDM'S TRADITIONAL CUSTOM HARD GUARDING AND SAFE T-SLOT GUARD

'Are Your Employees Safe?'

Industrial machines have dangerous wrap points, pinch points, cut points, crush points, and nip points that pose dangers to factory workers. Innovative-IDM's traditional custom hard guarding and Safe T-slot Guard products help people stay safe from machines.

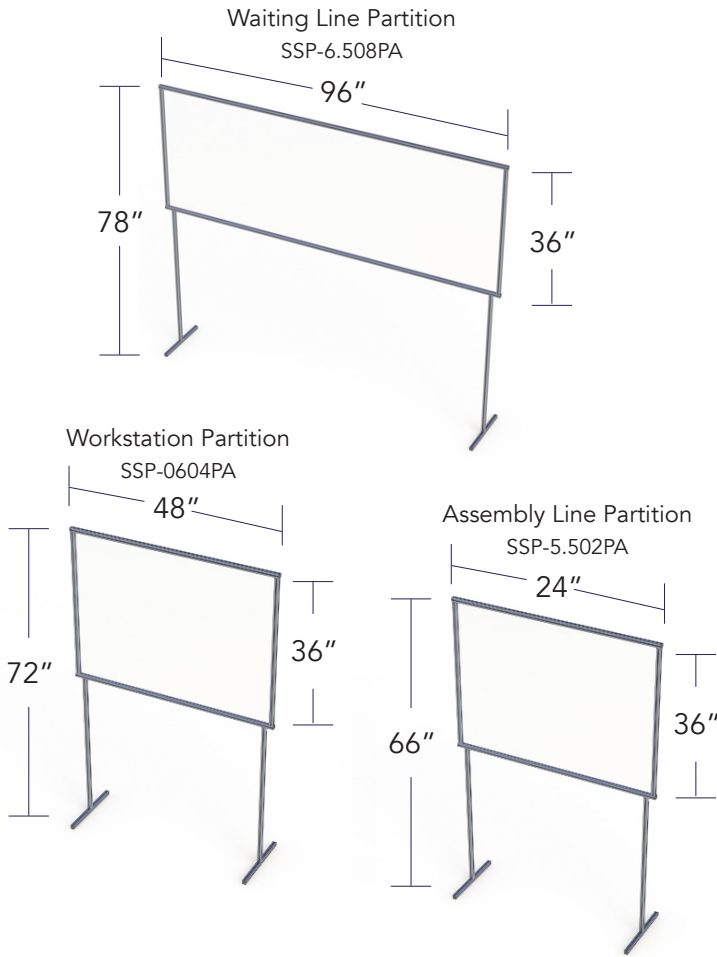
Safe T-slot Guard, our pre-engineered modular fencing, can be a solution for lines under repair, or temporary fabrication or storage areas where permanent walls would be impractical.

Plant safety audits, safety training, along with safety consulting aren't a problem: Our resident TÜV certified engineers can help provide everything from an informal walkthrough to a TÜV-approved full safety audit.

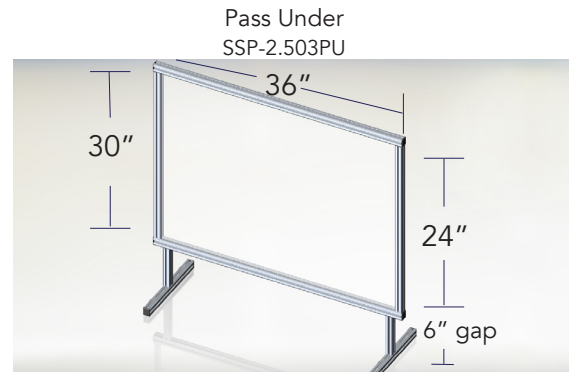




Aisle & Line Protection



Retail & Reception



**If You Imagine It,
We Can Build It**

Your project may be less or more complicated than our examples. You have a great deal of control over your cost by customizing to fit YOUR facility's needs. Ask us. We can help.

Parts

| No. | Description | H | W | Price |
|-------------|-------------------------|-----|-----|-------|
| SSP-6.508PA | Waiting Line Partition | 78" | 96" | \$485 |
| SSP-0604PA | Workstation Partition | 72" | 48" | \$365 |
| SSP-5.502PA | Assembly Line Partition | 66" | 24" | \$305 |
| SSP-0203PT | Pass Through Shield | 24" | 36" | \$250 |
| SSP-0203PO | Pass Over Shield | 24" | 36" | \$232 |
| SSP-2.503PU | Pass Under Shield | 30" | 36" | \$230 |
| SSP-0303BF | Bi-Fold Shield | 36" | 36" | \$670 |
| SSP-1212MR | Modular Room | 12' | 12' | Call |
| SSP-1224MR | Modular Room | 12' | 24' | Call |

| SSP | HEIGHT | WIDTH | TYPE | TYPE |
|---------------------------------------|--------|-------|------|------|
| | Feet | Feet | | |
| Example: SSP - 0203PT | 02 | 01 | PA | LF |
| Stands for 2' x 3' Pass Through | 04 | 02 | PT | CL |
| | 06 | 03 | PO | CN |
| | 08 | 04 | PU | |
| | | | MR | |
| | | | BF | |

SAFE SPACE
PERSONAL PROTECTIVE EQUIPMENT

MODEL DESIGNATIONS

PA Partition **LF** Leveling Feet
PT Pass Through **CL** Casters Locking
PO Pass Over **CN** Casters Non Locking
PU Pass Under
MR Modular Room
BF BiFold

